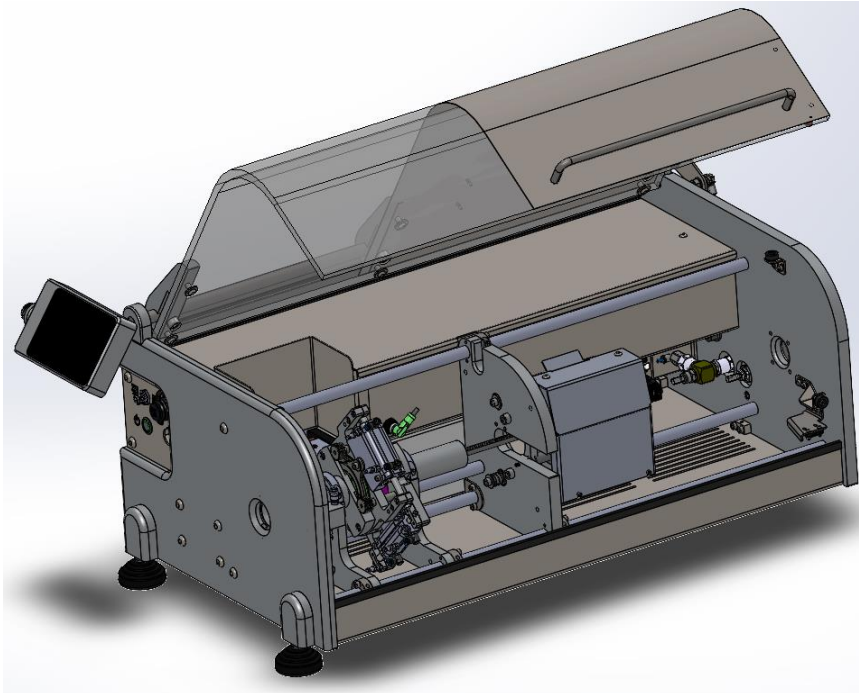

Foil and Fabric Processing



BERI.MACH.MAGIC*¹

The manual removal of foil or fabric from normal, coaxial, and high voltage cables or from wire coatings, for example, is laborious and time-consuming. When processing a cable, the first step is to strip completely the cable sheath which may not be desirable for subsequent processes.

The new BERI.MACH.MAGIC machine incorporates the thermo-module BERI.MOD.MAGIC which generates warmth by means of an electromagnetic alternating field.

When heating through induction the metallic parts within the cables - for example, those in the shielding -, the adjacent thermoplastic layers are initially damaged. This simplifies the precise stripping of foils, fabrics, or any other layered materials.

The specialty about this is that this processing principle **also functions with non-stripped** wires.



Example HV-cable with foil consisting of thermoplastic and metallic parts



Example HV-cable with fabric used as separation aid

The BERI.MACH.MAGIC machine is equipped with all necessary components, such as:

- The thermo-module BERI.MOD.MAGIC, an inductor-adaptor block, an oscillator, a cooling system, a control system, etc.



FEINTECHNIK Telf.: +49 . (0)251.96115-0
R.RITTMAYER GMBH Telefax: +49 . (0)251.624 525
Höltengeweg 103 E-mail: info@rittmeyer-beri.de
48155 Münster Web: www.rittmeyer-beri.de
Germany

¹ * Figure without cooling unit. Preliminary technical clarifications are necessary for a quotation.