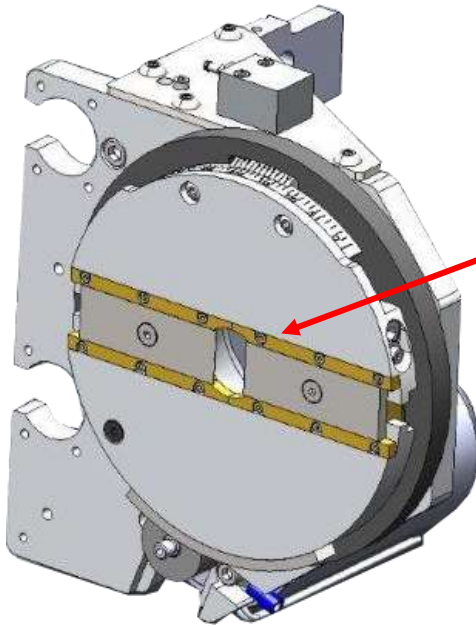


Rotation-Cutting Head MOD.BLADE.HEAD 3

Order-Nr. 039.5113



- Stripping- \varnothing from 2,0 – 24,0 mm
with use of flat-or V-knives
- Stripping- \varnothing from 2,0 – 15,0 mm
when using nozzle blades

After removing the four incorporated standard adapter strips for blades, the cutting head may be converted into a version with big blade nozzle:

- for use in automatic machines e.g.
- for HV cables up to 120 mm²
- Stripping- \varnothing from 15,0 – 23,0 mm
when using nozzle blades

Throughout more than 20 years, the rotation-cutting-head has proved itself a thousand times for rotation cable processing.

Sensor-Triggering Module MOD.AUTO.SENSOR

Order-Nr. 142.5110

- Additional Board (RS232 / Ethernet / IO-Interface 24V)
 - Traverse Range up to 250,0 mm - adaptable
 - Gear Rack Diameter 10,0 mm
 - Sensor Board modifiable according to use
 - Triggering Force 3 - 4 Nm
 - Horizontal Installation Position
- Easy Mechanical Connection via 2 M8 Screws
- Maintenance-free

